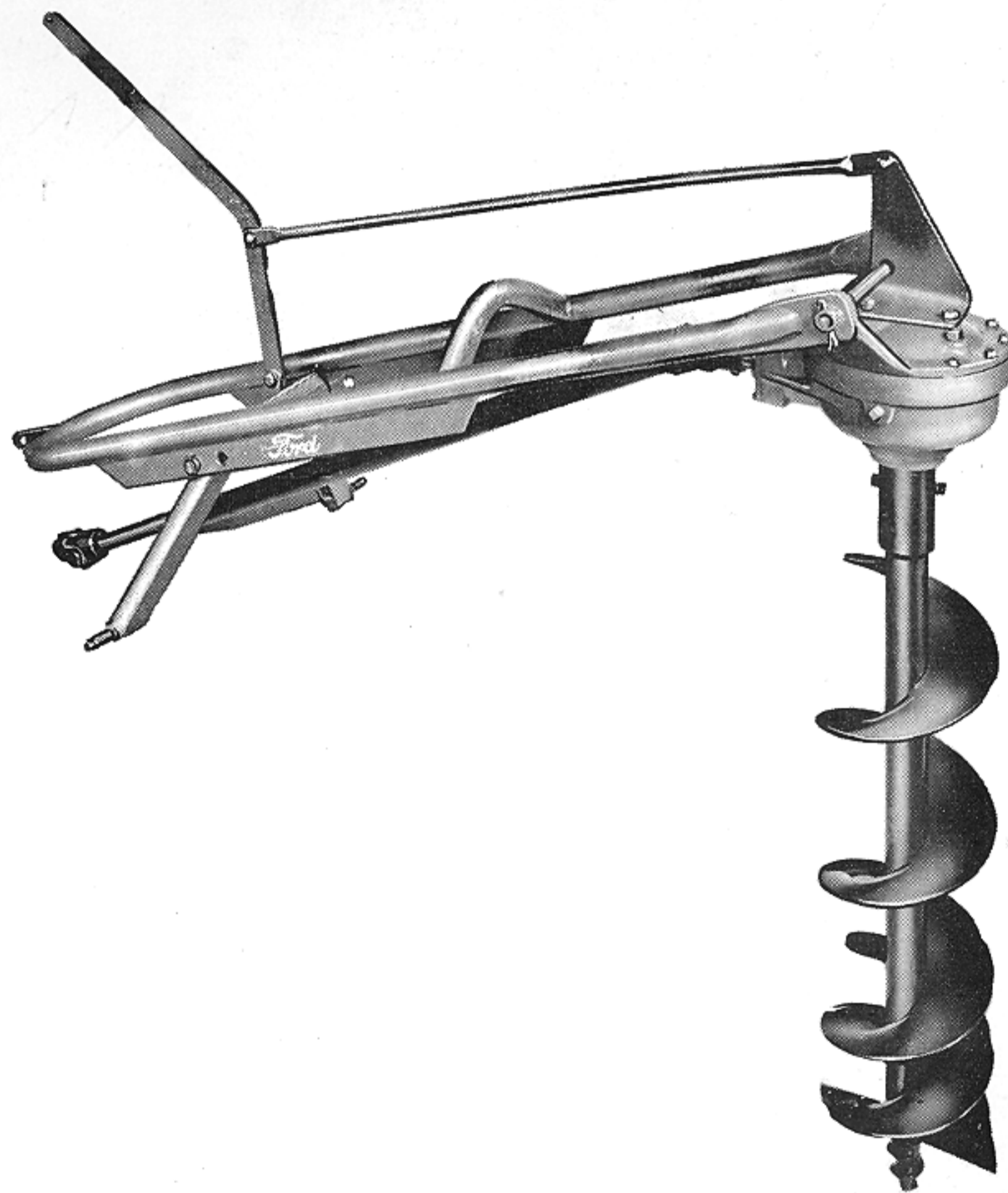


Ford

POST HOLE DIGGER

Model 22-63

PARTS BOOK



JULY, 1963

TRACTOR AND IMPLEMENT OPERATIONS (U.S.)

FORD TRACTOR DIVISION FORD MOTOR COMPANY

BIRMINGHAM, MICHIGAN

Post Hole Digger

MODEL INDEX

<u>Model No.</u>	<u>Description</u>	<u>Page No.</u>
22-63	Ford Post Hole Digger	1
22-64	9" Auger Assembly W/Replaceable Plain Edge	6
22-65	9" Auger Assembly W/Replaceable Serrated Edge	6
22-66	10" Auger Assembly W/Replaceable Plain Edge	6
22-67	10" Auger Assembly W/Replaceable Serrated Edge	6
22-68	12" Auger Assembly W/Replaceable Plain Edge	6
22-69	12" Auger Assembly W/Replaceable Serrated Edge	6
22-72	4" Auger, 42" Long W/Welded Plain Cutting Edge	8
22-73	6" Auger, 42" Long W/Welded Plain Cutting Edge	8
22-74	9" Auger, 42" Long W/Plain Cutting Edge	8
22-75	9" Auger, 42" Long W/Serrated Cutting Edge	8
22-76	10" Auger, 42" Long W/Plain Cutting Edge	8
22-77	10" Auger, 42" Long W/Serrated Cutting Edge	8
22-78	12" Auger, 42" Long W/Plain Cutting Edge	8
22-79	12" Auger, 42" Long W/Serrated Cutting Edge	8
22-80	14" Auger, 42" Long W/Plain Cutting Edge	8
22-81	14" Auger, 42" Long W/Serrated Cutting Edge	8
22-82	18" Auger, 42" Long W/Plain Cutting Edge	8
22-83	18" Auger, 42" Long W/Serrated Cutting Edge	8
22-84	24" Auger, 42" Long W/Plain Cutting Edge	8
22-85	24" Auger, 42" Long W/Serrated Cutting Edge	8

GROUP INDEX

<u>Group No.</u>	<u>Name</u>	<u>Page No.</u>
1-1	Frame Assembly	1
1-2	Gear Housing Assembly	2
1-3	Power Drive Parts	4
1-4	Auger Assemblies	6
1-4A	Extra Equipment	8,10

Post Hole Digger

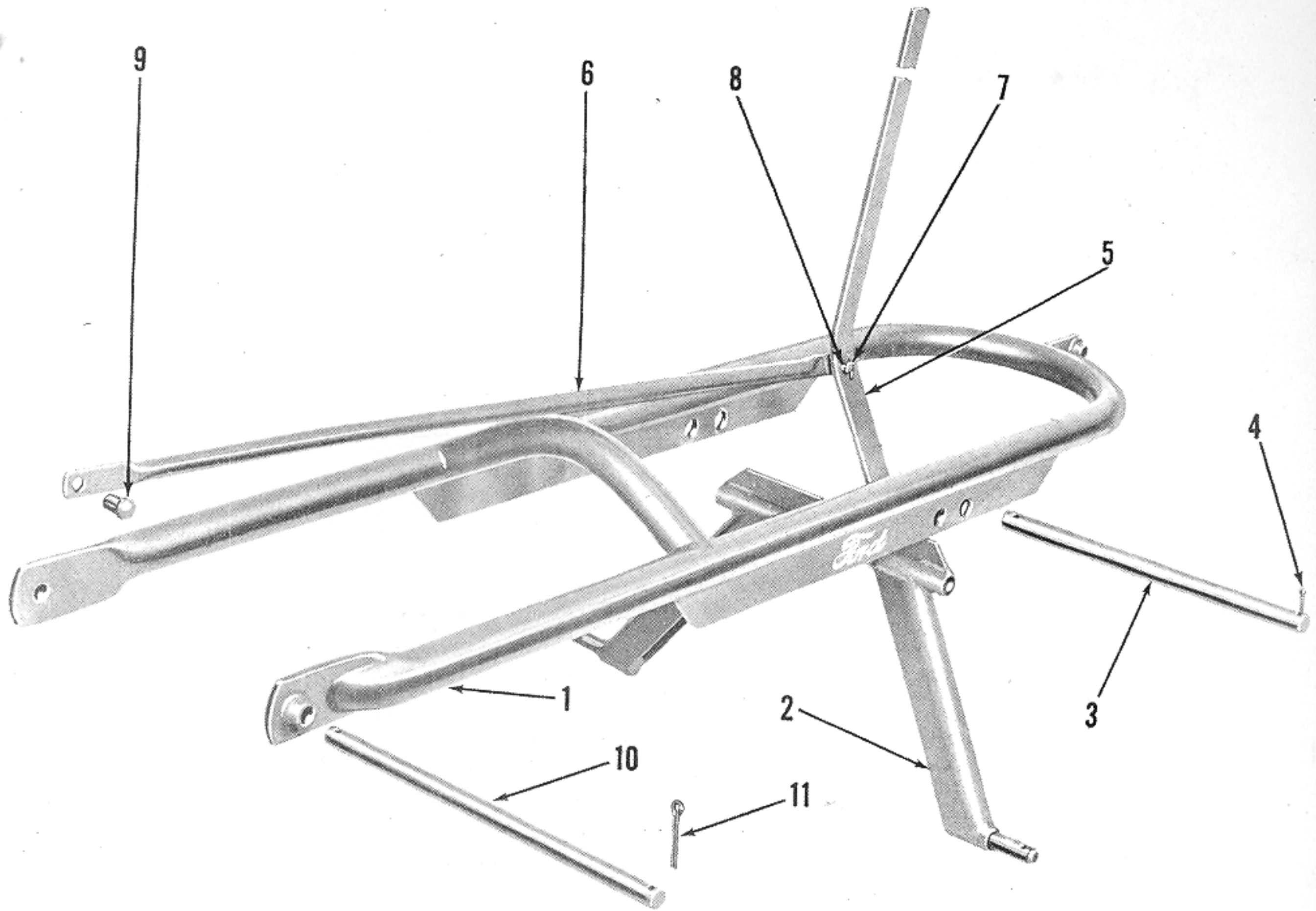


Figure 1 - Frame Assembly

FIG. 1	PART NO.	NAME AND DESCRIPTION	QTY. REQ.
		<u>GROUP 1-1 FRAME ASSEMBLY</u>	<u>22-63</u>
1	114321	FRAME, Digger (Welded Assembly)	1
2	114318	LINK, Lifting (Welded Assembly)	1
3	114319	PIN, Attaching)	1
4		COTTER PIN, 1/4 x 1-3/4) Lifting Link to Frame Assembly	2
5	221788	HANDLE, Control	1
-		PIN, 1/2 x 1-3/16 Clevis)	1
-		COTTER PIN, 1/8 x 1) Handle to Lifting Link	1
6	221787	LINK, Centering	1
7	221777	PIN, 1/2 Drld Headed)	1
8		COTTER PIN, 1/8 x 1) Link to Handle	1
9	221776	PIN, 1/2 Drld Headed)	1
-		COTTER PIN, 1/8 x 1) Link to Centering Lever	1
10	221780	PIN, 3/4 x 15.40 Drilled)	2
11		COTTER PIN, 1/4 x 1-3/4) Gear Box to Frame	2

Post Hole Digger

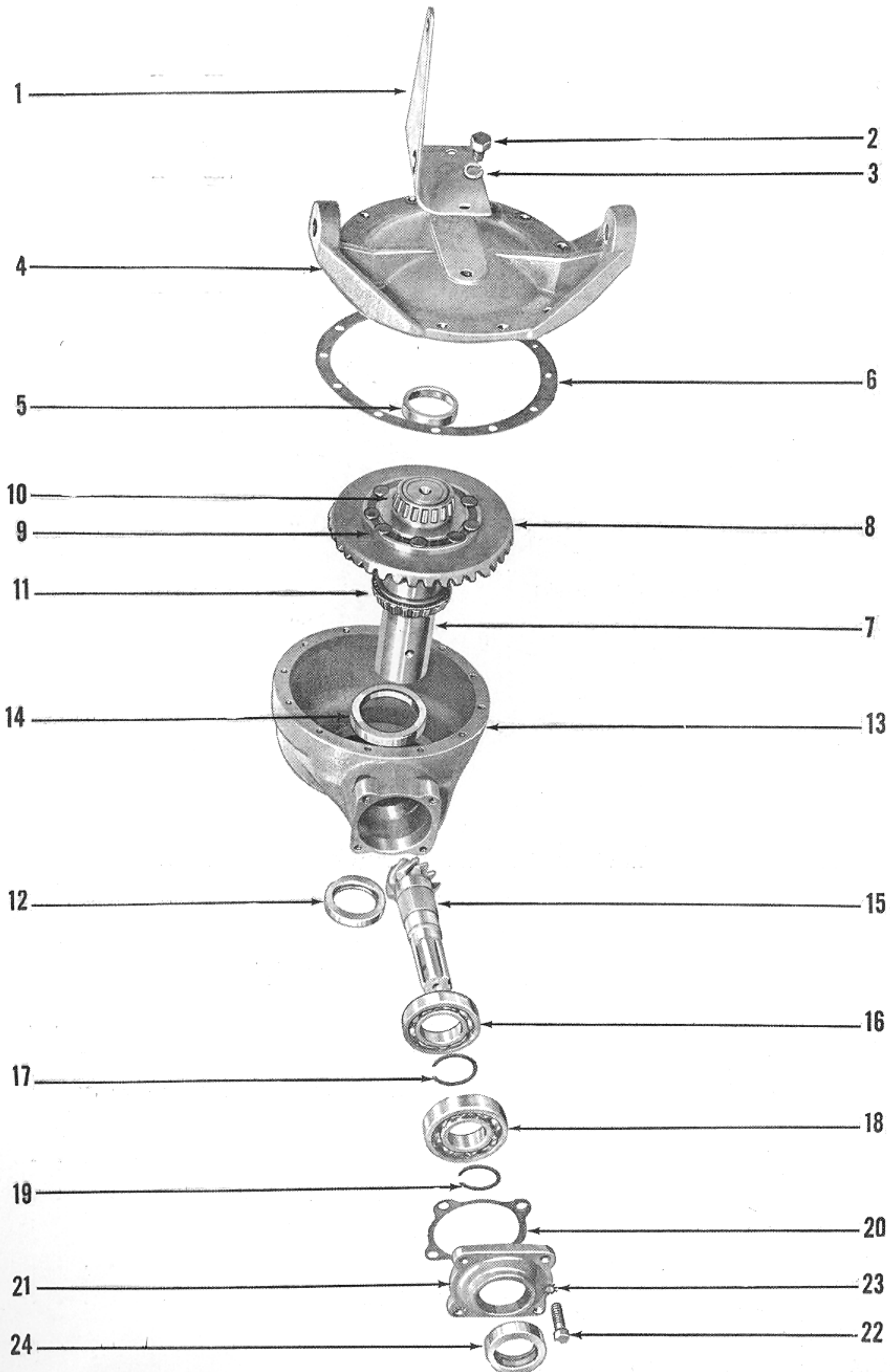


Figure 2 - Gear Housing Assembly

Post Hole Digger

FIG.	PART NO.	NAME AND DESCRIPTION	QTY. REQ.
2		<u>GROUP 1-2 GEAR HOUSING ASSEMBLY</u>	<u>22-63</u>
1	221786	LEVER, Centering	1
2		CAPSCREW, 1/2 - 13 x 3/4 Hex Hd)	
3		LOCKWASHER) Centering Lever to Gear Box	2
-	221815	GEAR BOX ASSEMBLY, Post Hole Digger	1
		Includes:	
4	101738	COVER AND CUP ASSEMBLY	1
		Includes:	
5	NCB-44136-A	CUP, Driven Shaft Bearing	1
6	221803	GASKET, .015 Gear Box Cover	AR
-	101686	GASKET, .007 Gear Box Cover	AR
-	304722-S8	CAPSCREW, 3/8 - 16 x 1-1/4 Hex Hd)	
-		LOCKWASHER, 3/8 External Tooth) Cover to Housing .	12
7	221810	SPINDLE, Driven	1
8	221806	GEAR, Ring	1
9		RIVET, 3/8 x 1-1/2 Button Hd - Gear to Spindle	9
10	TDAR-1201-A	CONE, Bearing	1
11	221812	CONE, Bearing	1
12	7-EQH-4676	SEAL, Oil	1
--	101737	SEAL, Oil	1
13	101739	HOUSING AND CUP ASSEMBLY	1
		Includes:	
14	221813	CUP, Driven Shaft Bearing	1
15	221808	PINION, Driving	1
16	BB-7025	BEARING ASSEMBLY, Inner Pinion	1
17	221802	RING, External Snap	1
18	144475	BEARING ASSEMBLY, Outer Pinion	1
19	220953	RING, External Snap	1
20	221804	GASKET, Bearing Retainer	1
21	221807	CAP, Bearing Retainer	1
22		CAPSCREW, 3/8 - 16 x 1 Hex Hd)	
23		LOCKWASHER, 3/8 External Tooth) Bearing Cap to Housing	4
24	101736	SEAL, Oil	1
--		PLUG, 1/2 - 14 Sq Hd Drain & Filler	2

Post Hole Digger

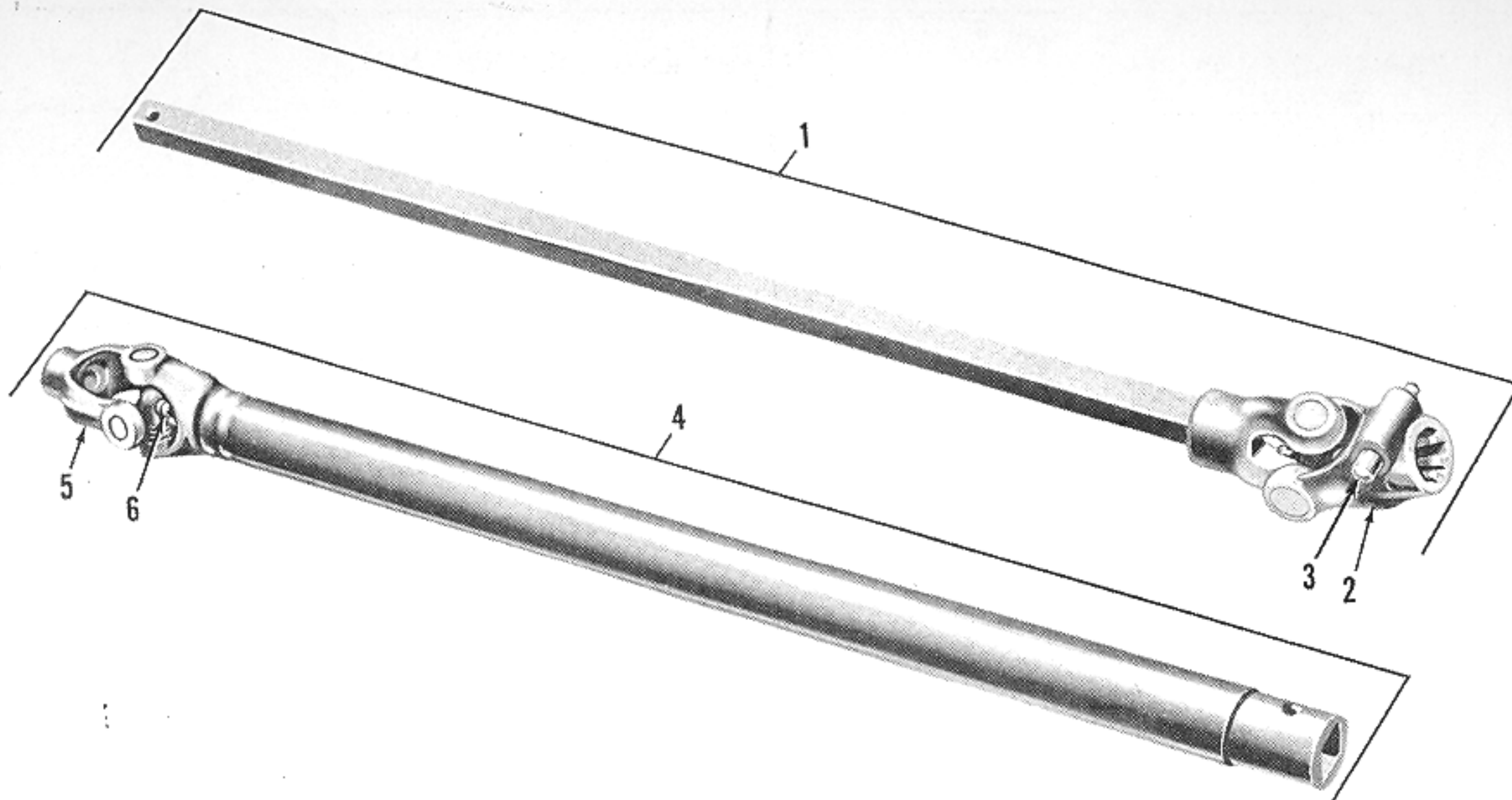


Figure 3 - Power Drive Parts

FIG. 3	PART NO.	NAME AND DESCRIPTION	QTY. REQ.
		<u>GROUP 1-3 POWER DRIVE PARTS</u>	<u>22-63</u>
1	221790	JOINT AND SHAFT ASSEMBLY, Universal	1
		Includes:	
2	149147	YOKE, Universal Joint (Splined)	1
-	148357	KIT, Universal Service	1
		Includes Center Cross plus:	
-	146835	CUP ASSEMBLY, Needle W/Cork	4
-	146834	RING, Lock	4
-	146837	SEAL, Bearing	4
-		FITTING, Lube, 1/8 - 27 x 29/32, 67-1/2°	1
3	149116	PIN ASSEMBLY, Lock	1
		Includes Lock Pin plus:	
-	149079	RING, Lock Pin Retainer	1
-	148466	SPRING, Lock Pin	1
4	221791	JOINT AND TUBE ASSEMBLY, Universal	1
		Includes:	
5	221778	YOKE, Universal Joint	1
-	148357	KIT, Universal Service	1
		Includes Center Cross plus:	
-	146835	CUP ASSEMBLY, Needle W/Cork	4
-	146834	RING, Lock	4
-	146837	SEAL, Bearing	4
6		FITTING, Lube, 1/8 - 27 x 29/32, 67-1/2°	1
-		FITTING, Lube, 1/4 - 28 x 1/2 Str - Shaft Lube Fitting	1

Post Hole Digger

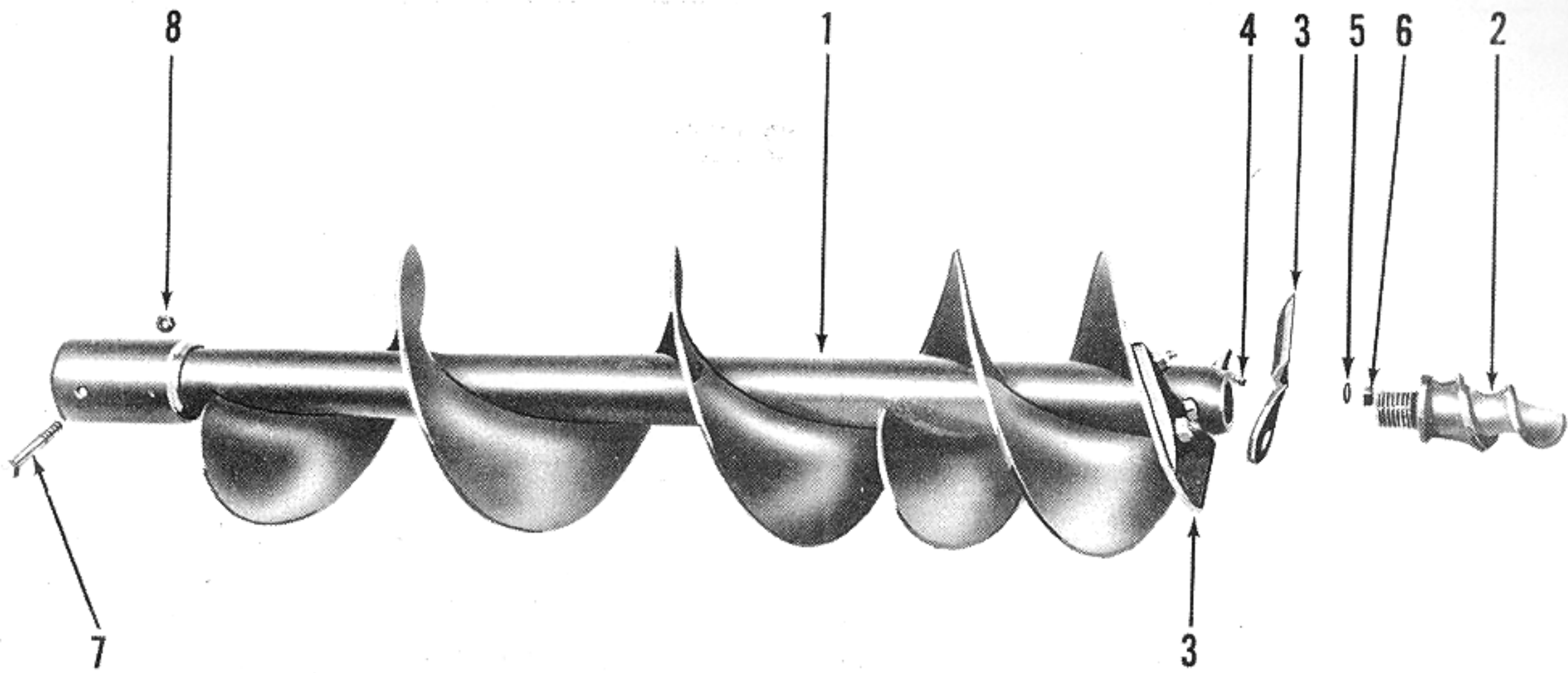


Figure 4 - 42" Auger Assembly

FIG. 4	PART NO.	NAME AND DESCRIPTION	QTY. REQ.
<u>GROUP 1-4 AUGER ASSEMBLIES</u>			
		Model 22-64 Auger Assembly W/Replaceable Plain Edge	9"
		Model 22-65 Auger Assembly, W/Replaceable Serrated Edge	9"
		Model 22-66 Auger Assembly, W/Replaceable Plain Edge	10"
		Model 22-67 Auger Assembly, W/Replaceable Serrated Edge	10"
		Model 22-68 Auger Assembly, W/Replaceable Plain Edge	12"
		Model 22-69 Auger Assembly, W/Replaceable Serrated Edge	12"

Post Hole Digger

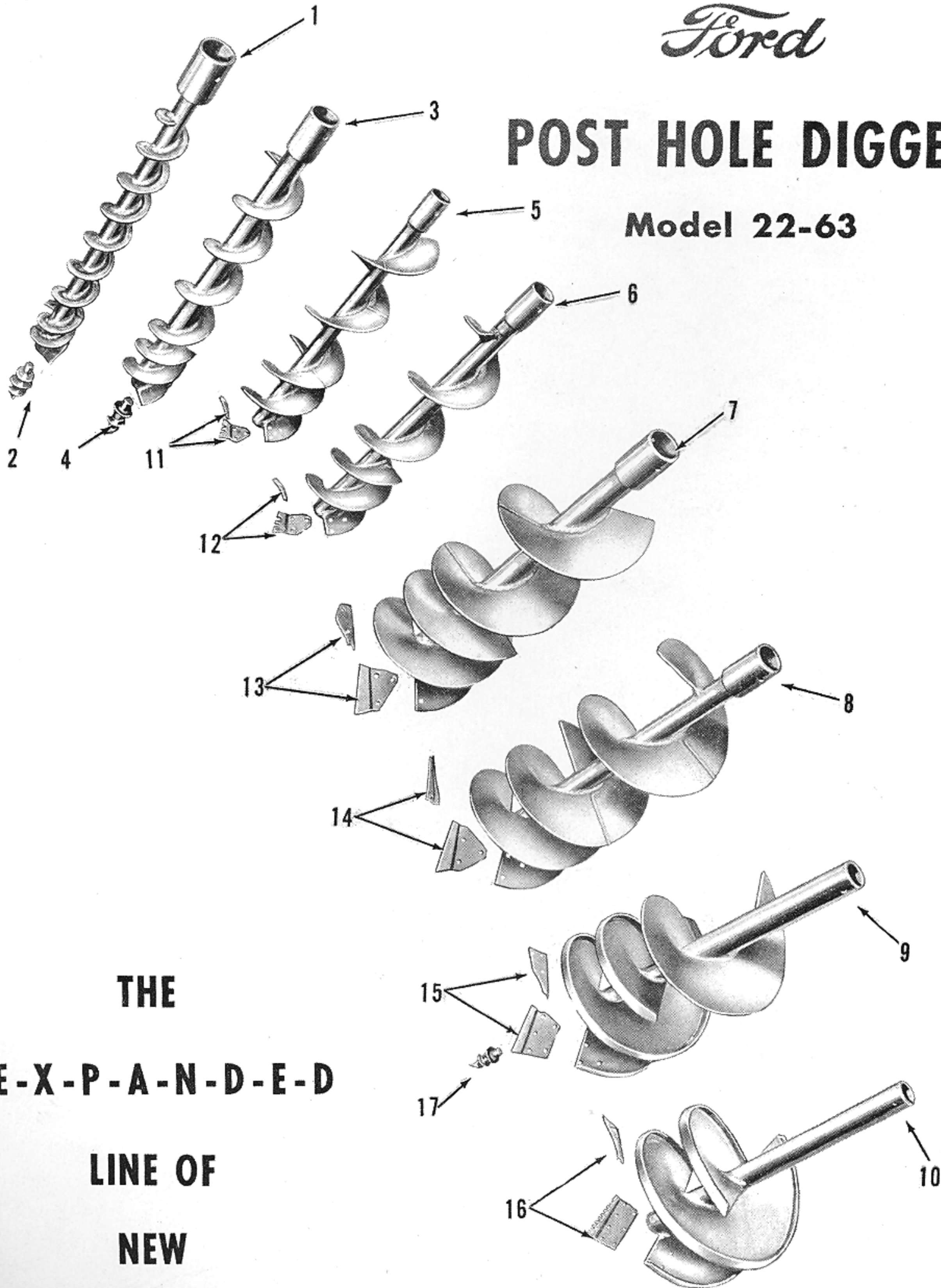
FIG.	PART NO.	NAME AND DESCRIPTION	QTY. REQ.
4		<u>GROUP 1-4 AUGER ASSEMBLIES (Cont'd)</u>	<u>22-63</u>
1		AUGER ASSEMBLIES (Order by Model Number)	1
		Includes:	
2	221443	POINT, Auger	1
3	107880	EDGE, Plain Cutting - For 9" Auger	2
-	107881	EDGE, Serrated Cutting - For 9" Auger (Short Lip)	1
-	107882	EDGE, Serrated Cutting - For 9" Auger (Long Lip)	1
-	107885	EDGE, Plain Cutting - For 10" Auger	2
-	107884	EDGE, Serrated Cutting - For 10" Auger (Short Lip)	1
-	107883	EDGE, Serrated Cutting - For 10" Auger (Long Lip)	1
-	107887	EDGE, Plain Cutting - For 12" Auger	2
-	107888	EDGE, Serrated Cutting - For 12" Auger (Short Lip)	1
-	107889	EDGE, Serrated Cutting - For 12" Auger (Long Lip)	1
4		BOLT, 3/8 - 16 x 1 Carr)	
5		LOCKWASHER, 3/8) Edge to Flight Assembly	6
6		NUT, 3/8 - 16 Hex)	
7	107328	BOLT, 7/16 - 1 1/4 x 1/4 Hex Hd) (Shear)	
-		LOCKWASHER, 7/16) Auger to Gear Box	1
8		NUT, 7/16 - 1 1/4 Hex)	
		<u>EXTRA EQUIPMENT</u>	
-	221591	EXTENSION, Auger	1
-	107328	BOLT, 7/16 - 1 1/4 x 1/4 Hex Hd) (Shear)	
-		NUT, 7/16 - 1 1/4 Hex) Extension Spline	1
-		FMD ATTACHING PARTS (Use Components below)	
-	221799	SPACER, .88 ID x 1-1/8 OD x 1.72 Lower Link Pin	2
-	NCA-22218-A	SPACER, .76 ID x 1 OD x .62)	2
-	303943	PIN, 3/4 x 3-3/4 Drld Rivet) Upper Link Pin	1
-	111856	PIN, Self Locking)	1

Post Hole Digger

Ford

POST HOLE DIGGER

Model 22-63



**THE
E-X-P-A-N-D-E-D
LINE OF
NEW
FORD AUGERS**

Figure 4A- Auger Assemblies